

THE 'FLAT MODULAR BIOCHAR KILN (FMBK)' BY JAMES JENKINSON

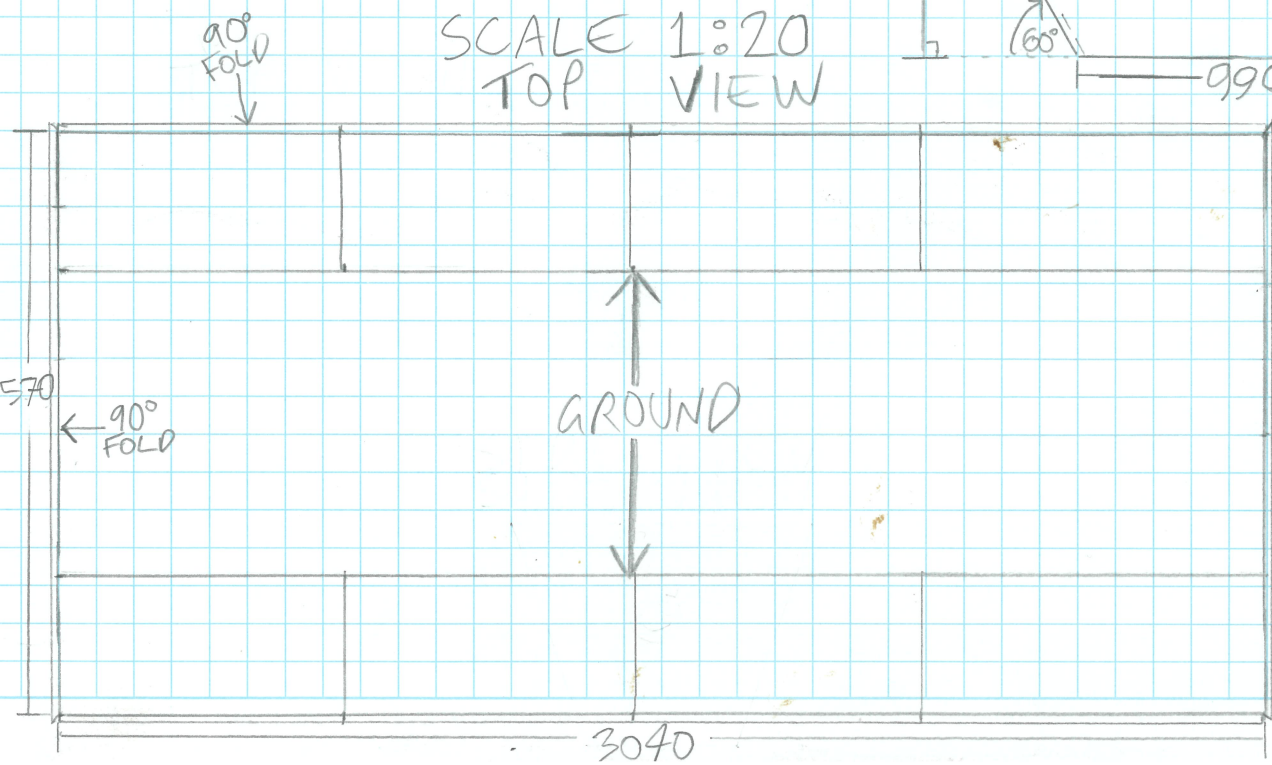
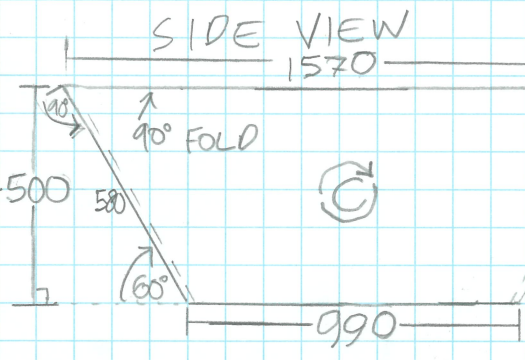
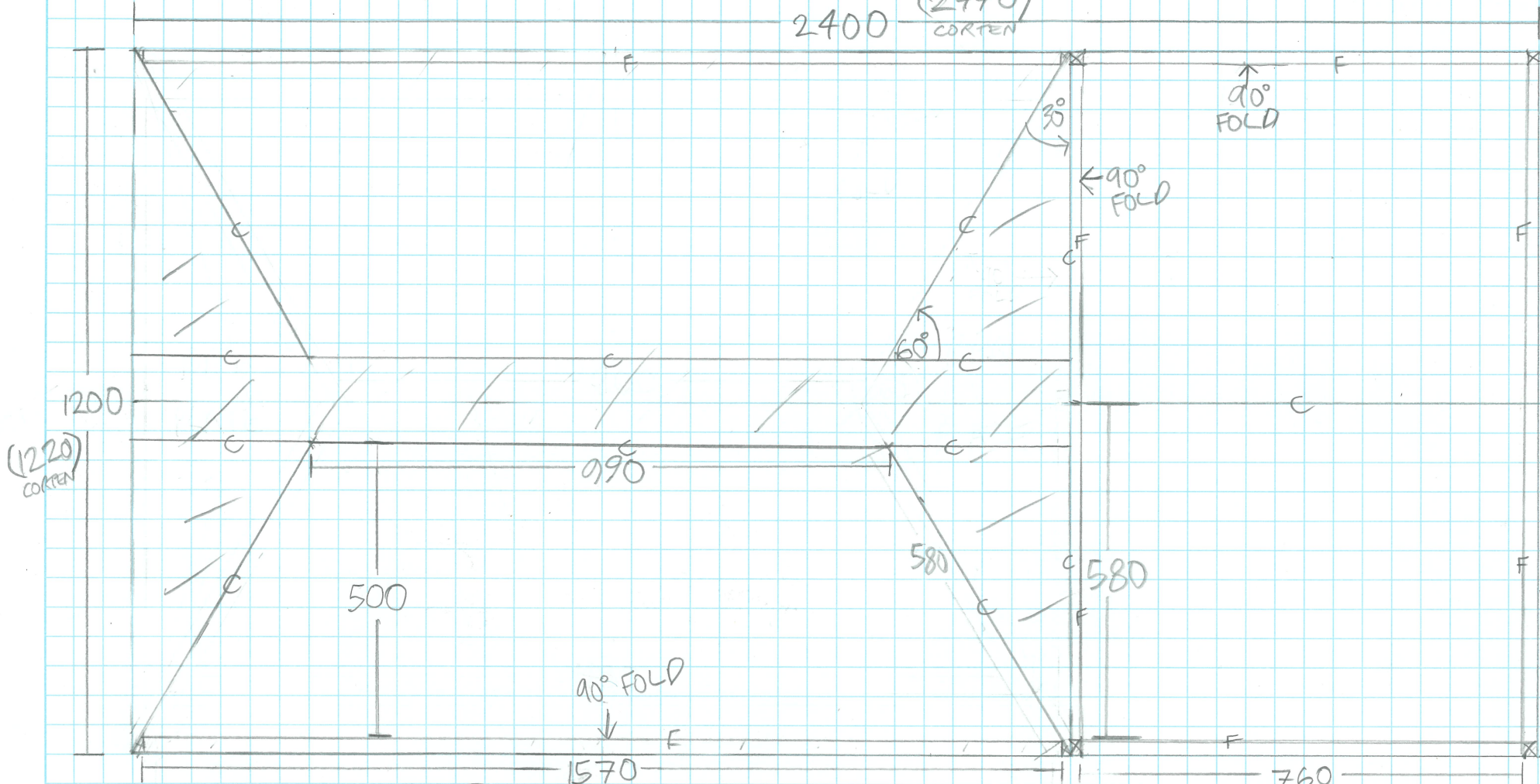
SCALE 1:10
2400 (2440) CORTEN

(PERMACHAR.NET, +61 422904118)

DESIGN NOTES

- 1.55mm 350 GRADE CORTEN WEATHERING STEEL
- SECURED WITH 'MIGHTY MIDGET' PANEL CLAMPS (2 PER RIB, MAX. 20)
- EXTENDABLE LENGTH / EXPANDABLE VOLUME (UP TO 3040mm IN LENGTH)
- FLAT-PACKABLE FOR EASY TRANSPORT
- CAN BE FABRICATED WITH GRINDER, SHEAR & PRESS BRAKE (NO WELDING, ROLLING OR LASER CUTTING)
- LIGHTWEIGHT PANELS FOR EASY ASSEMBLY
- GOOD FOR MANY FEEDSTOCK SIZES
- IN 'HYBRID MODE' POSSIBLE TO EXPAND VOLUME BENEATH THE KILN (DIG IN) IF ON SOFT GROUND

SCALE 1:20 A 'SWALE MACHINE'



INSPIRED BY COUNTLESS ECO-INNOVATORS INC, DR PAUL TAYLOR, DR TLUD, KELPIE WILSON, WARM HEART WORLDWIDE, JULIO & TIM

FABRICATOR: ME, STEEL HERE, SA, OZ

THIS WORK IS LICENSED UNDER A CREATIVE COMMONS ATTRIBUTION 4.0

